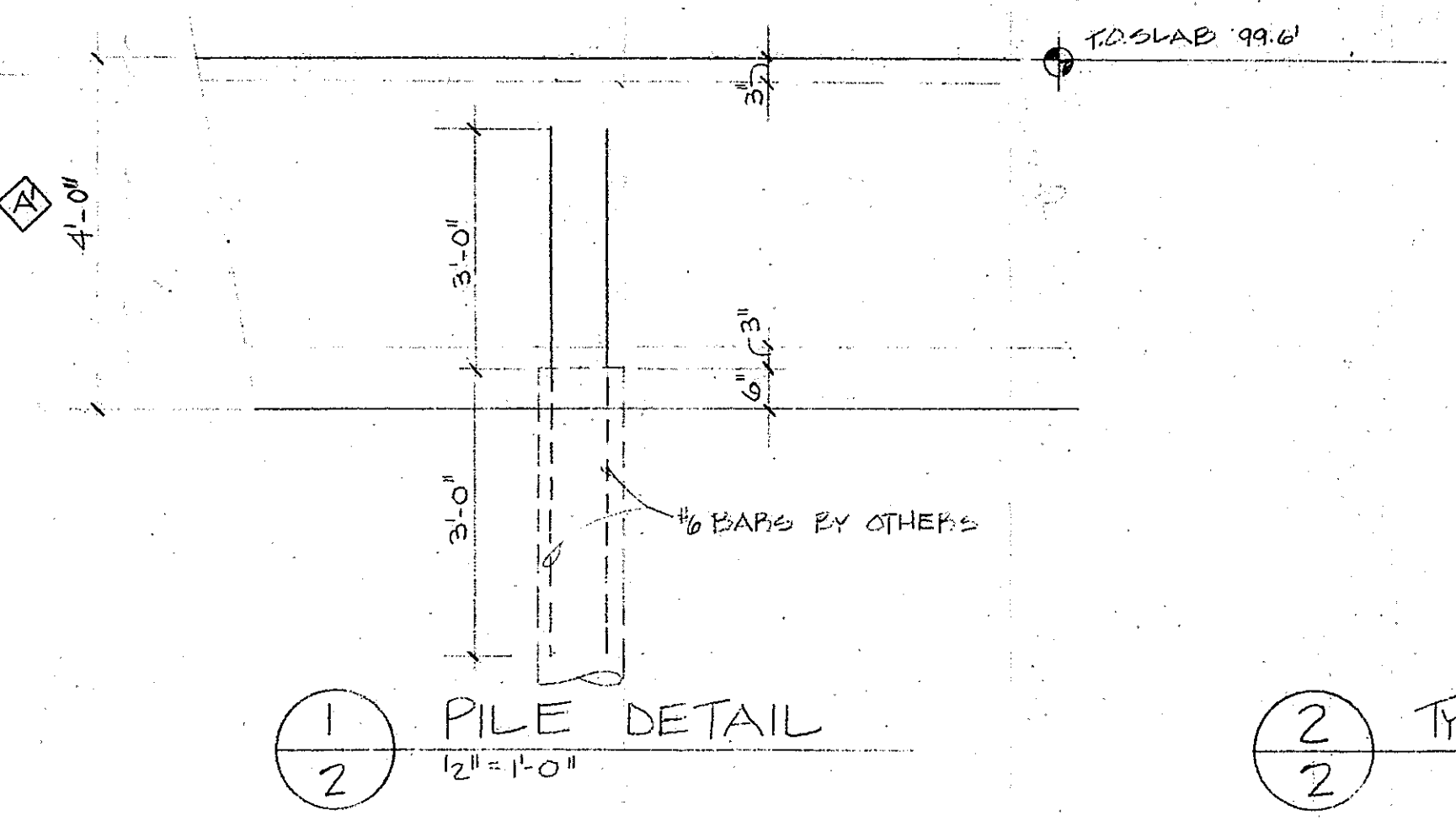
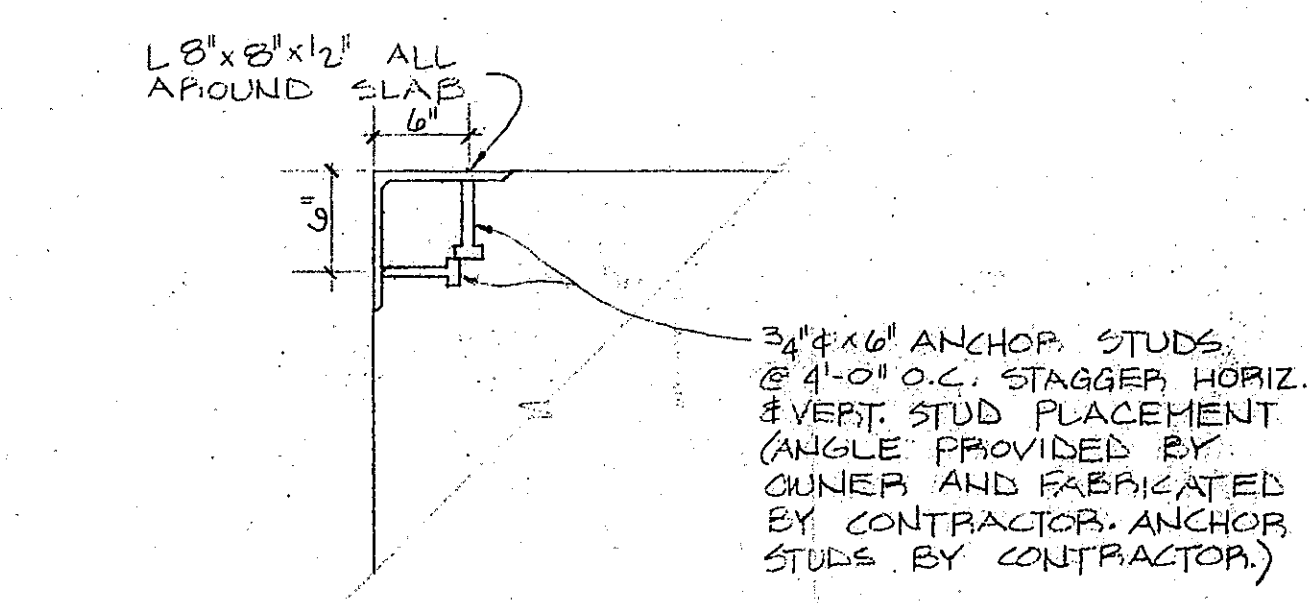


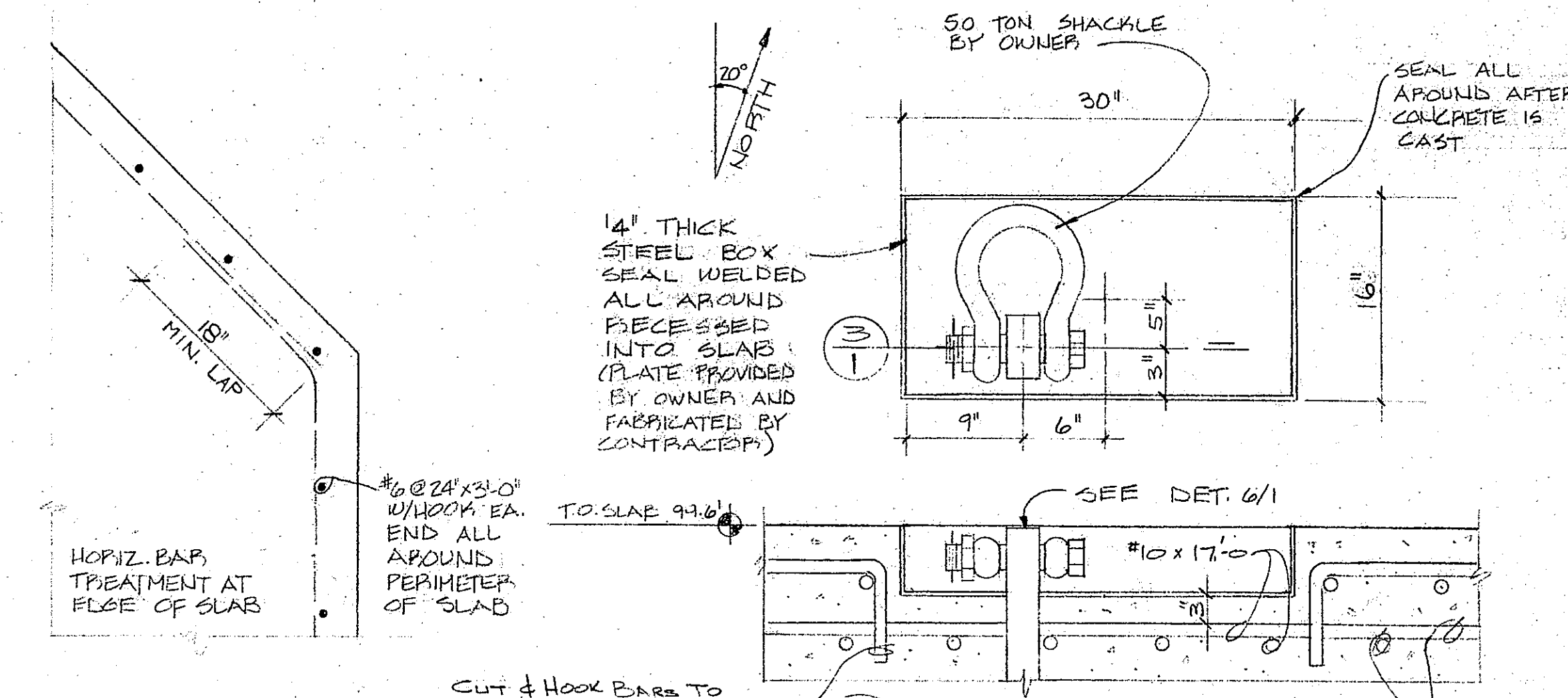
GENERAL PLAN & REINF LAYOUT
3/16" = 1'-0"



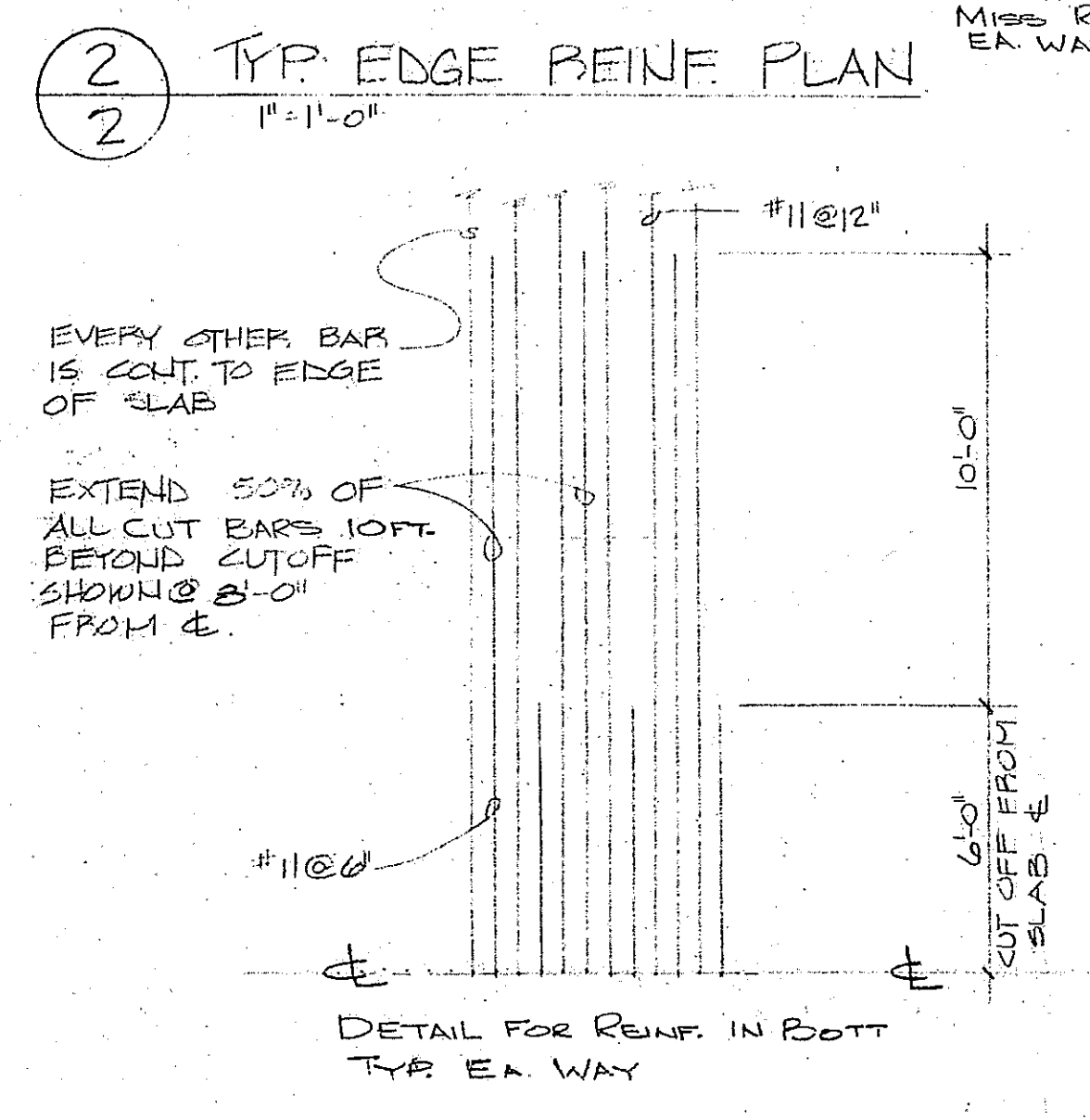
1 PILE DETAIL
2 1/2" = 1'-0"



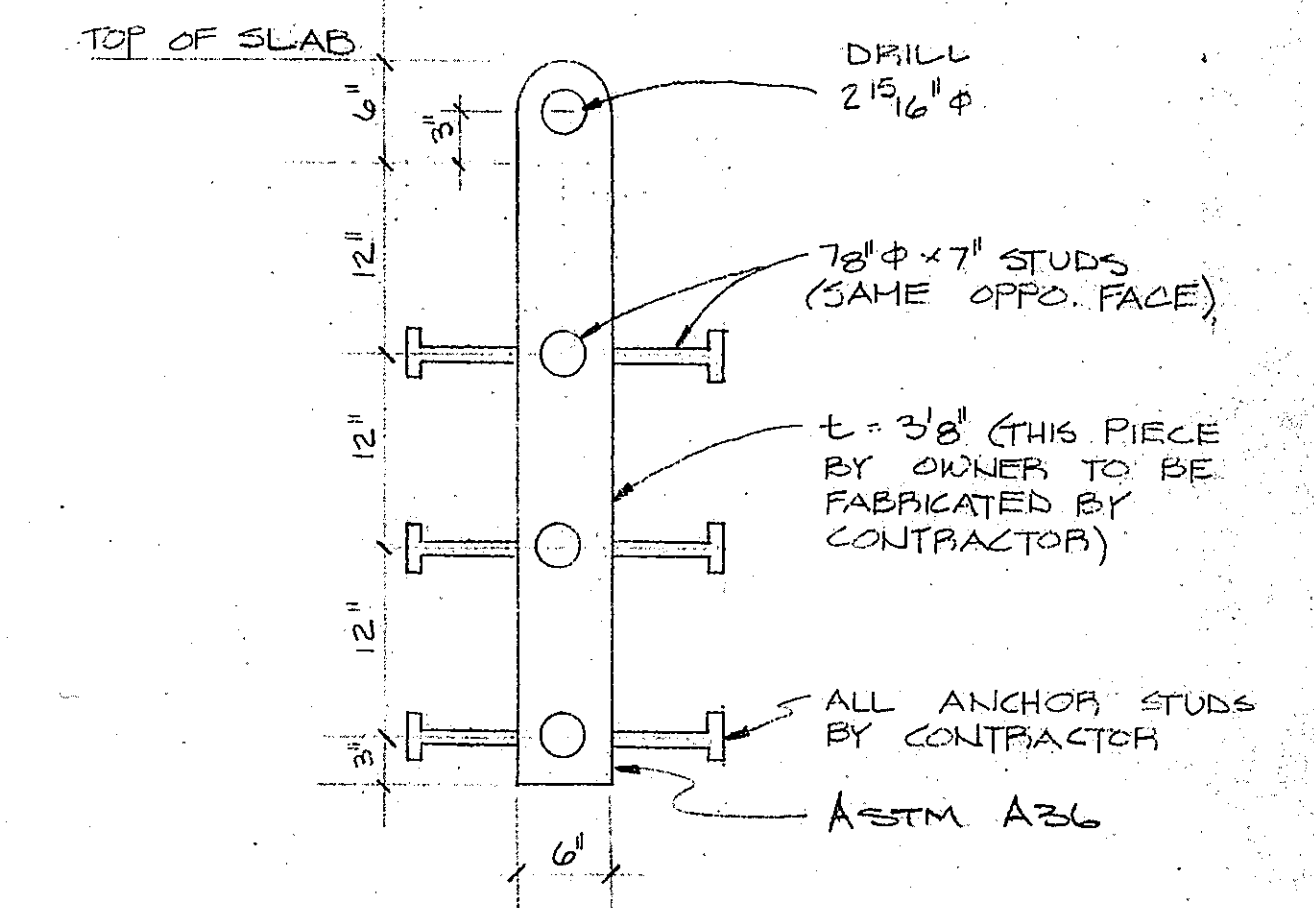
4 EDGE ANGLE ANCHORAGE
2 1" = 1'-0"



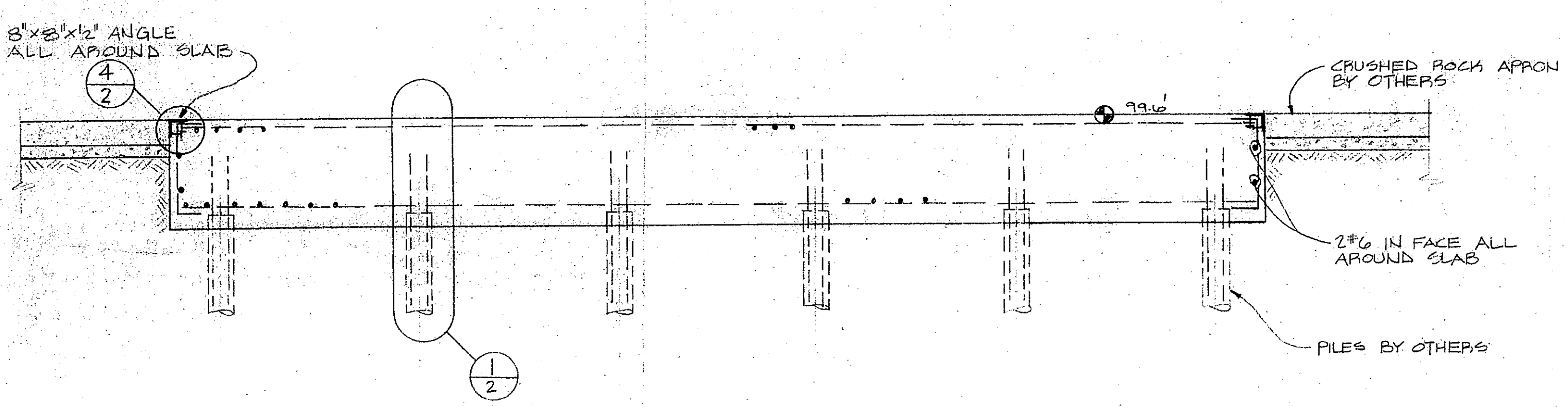
3 SHACKLE DETAIL
2 1" = 1'-0"



5 CUTOFF DETAIL FOR BOTTOM REINFORCEMENT
2 1/4" = 1'-0"



6 DETAIL
2 1" = 1'-0"



7 SECTION THRU SLAB
2 1/4" = 1'-0"

NOTE: ALL LAPS AND SPICES AND HOOKS ACCORDING TO ACI 318.
MIN. CLEAR COVER IS 3".
MAINTAIN 3" CLEAR BETWEEN EMBEDS AND REINFORCEMENTS.
ALL REINF. STEEL GO 60
ALL CONC TO REACH F_c 4000 PSI @ 14 DAYS

REVISIONS		
A	CHANGE SLAB THICKNESS 4'-4" TO 4'-0"	5-18-79

AMERICAN HOIST AND DERRICK CO.
PROPOSED TEST PAD
BAY CITY, MICHIGAN

McMILLAN ASSOCIATES
CONSULTING ENGINEERS
714 EAST MIDLAND STREET • BAY CITY, MICHIGAN 48706
(989) 894-4300 • (810) 232-7230 • FACSIMILE (989) 894-9930

DRAWN BY: CP
DATE: 5/17/79
APPROVED: DJM